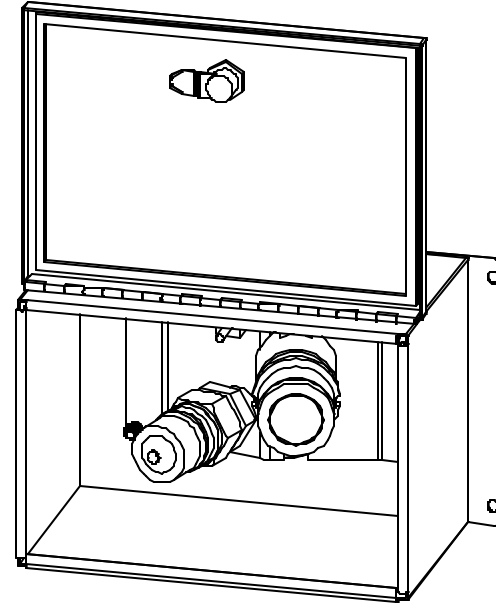
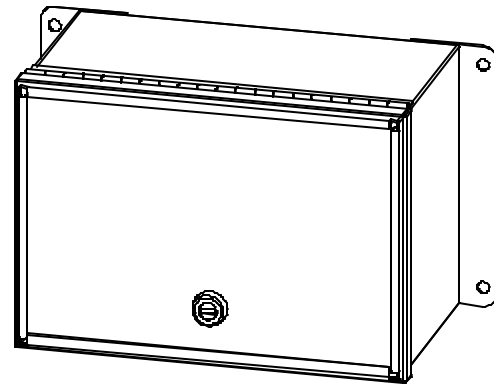


Surface Mount Fill Box Specifications



◆ **Fill Box Dimensions:**

- Height = 7"
- Width = 13" (including flange)
- Depth = 6"

◆ **Materials of Construction:**

- Stainless steel enclosure
- Stainless steel inner panel

◆ **Features:**

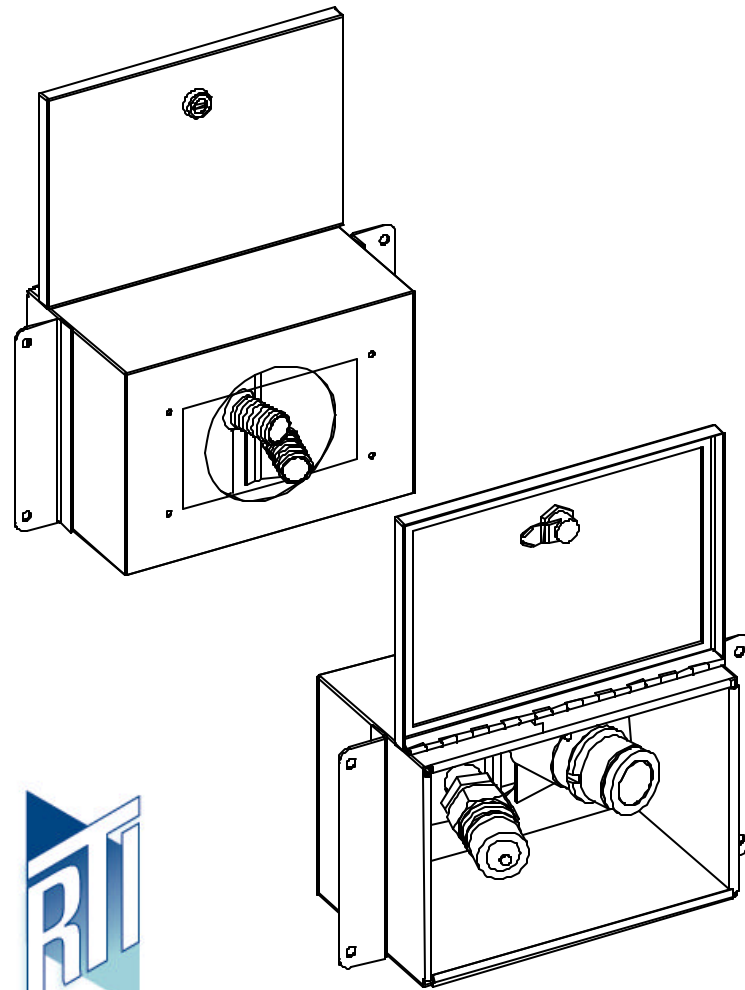
- Integral locking latch (key retained by RTI employees)
- Food-grade new oil coupler
- Incompatible waste oil coupler
- Electrical connector for overfill protection
- Drip tray to catch residual oil

◆ **Mounting details:**

- Surface mounted
- 3" diameter hole through wall (sealed)
- Locate within 15 feet of waste oil tank (longer distances possible, but delivery times increase)
- Locate away from drive-thru (if applicable)

19-Oct-01

Flush Mount Fill Box Specifications



◆ **Fill Box Dimensions:**

- Height = 7"
- Width = 13" (including flange)
- Depth = 6"

◆ **Materials of Construction:**

- Stainless steel enclosure
- Stainless steel inner panel

◆ **Features:**

- Integral locking latch (key retained by RTI employees)
- Food-grade new oil coupler
- Incompatible waste oil coupler
- Electrical connector for overfill protection
- Drip tray to catch residual oil

◆ **Mounting details:**

- Flush mounted (will protrude 2" out of wall)
- Required opening
 - Height = 7-1/8" minimum
 - Width = 10-1/4" minimum
 - Flange Depth = 4" (**if wall is thicker than 4", a 3" diameter hole is also required for remaining wall thickness**)
- Locate within 15 feet of waste oil tank (longer distances possible, but delivery times increase)
- Locate away from drive-thru (if applicable)

August 12, 2002